

## CUSTOMER SERVICE

### **CAD-data can now be downloaded on the internet**

A new service from ESCHA providing designers with many possibilities

Halver, 10.06.2009

As a first manufacturer for connector- and enclosure technology, ESCHA is now providing CAD-data for download which can be directly imported into the entire application. This new and free service, above all, will make the designer's daily work easier and includes all articles of the standard connector range. The CAD-data can either be directly downloaded on the homepage product area within few seconds or can be send via e-mail to any e-mail address. In total, ESCHA is providing native data for more than 40 CAD-systems.

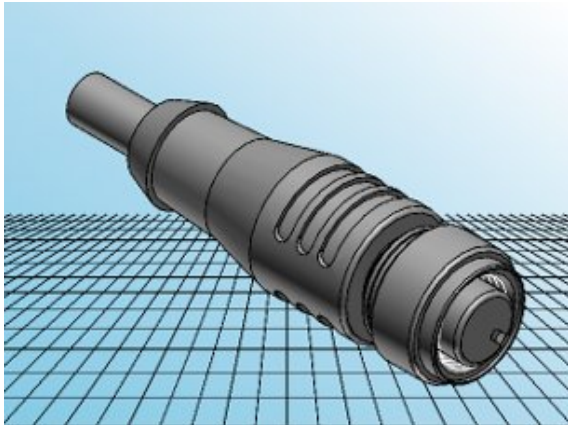
The new CAD-download provides the customer with several advantages. First of all, the available design space can be reasonably used through the import of the shell geometry into the entire application. Furthermore, there are no migration problems due to the availability of native data for all common CAD-systems. As a result, no further data work is necessary. This will save valuable design space and valuable time.

"We have chosen a reasonably useful detailing degree of our products for the customer", stated Marco heck, in charge of Marketing and Sales at ESCHA. "The 3D-models do not include any unnecessary details. Which will reduce the data volume and download time. That is exactly what makes the new ESCHA service interesting for designers."

#### **Press-Contact**

Dipl.-Medienökonom Florian Schnell  
Marketing | Communication  
f.schnell@escha.de | Phone +49 2353 708-8156

In addition to the 3D-drawing the customer will get technical data for his requested product as a datasheet. That means, all important product information can be downloaded in one step on the internet. The customer does not have to sign up and pay a fee for this service.



**ESCHA\_PI0409:** As of now, ESCHA provides CAD-data of its products for download. The picture shows an M12x1 coupling

#### **ESCHA – About us**

ESCHA is a leading supplier in the field of connectivity and enclosure technology. The family enterprise has been developing and manufacturing in Halver, Germany for more than 25 years. More than 400 employees help create innovative products, and thus continue to extend the product portfolio. ESCHA fulfils customers' specific requirements through highly in-depth development and production.

#### **Press-Contact**

Dipl.-Medienökonom Florian Schnell  
Marketing | Communication  
f.schnell@escha.de | Phone +49 2353 708-8156