

NEW SHIELDING TECHNOLOGY FOR ROUND CONNECTORS

New Shielding Conception in M12x1 and M8x1

ESCHA is introducing a new shielding technology

Halver, 15.03.2007

The daily practice has shown that applications and devices have made demand on shielded connectivity for some time now. That is why many companies of the connectivity sector also cover this market segment. The real activity showed unembellished the weaknesses and that the technology was unsatisfying in the field of shielded M12x1 and M8x1 round connectors.

Frequent appearing errors depending on particular applications respectively stresses are short-term failures on mechanical loads and in the industrial application. Due to the precise problem, which could not be covered by previous known solutions of diverse suppliers, ESCHA has attended to this subject matter.

A completely new technical concept was developed, which bases on a 2- component moulding. Essential features of the new product group are represented by a 360° shielding as well the implementation of the protection requirements according to IP67 and IP69K. The connection of the shield is not effected by a crimping connection on the cable, so that even a high mechanical load is enabled without the loss of the shielding.

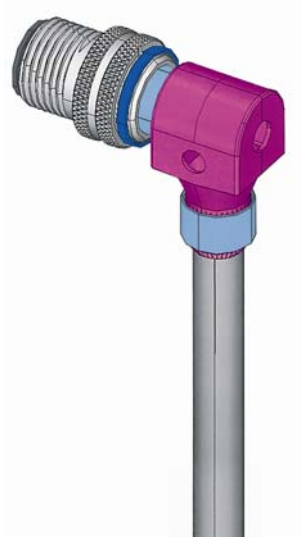
Present applications, for example in wind energy plants or Ethernet, demonstrate the flexibility and the technical position of the product.

Press-Contact

Dipl.-Wirt.-Ing. Marco Heck
Director of Marketing | Product Management
m.heck@escha.de | Phone +49 2353 708-8153 | Mobile +49 151 12154945

Contact us directly to present us your application possibilities of a new shielding conception.

ESCHA_0507: Concept of the new ESCHA shielding technology



ESCHA – About us

ESCHA is a leading supplier in the field of connectivity and enclosure technology. The family enterprise has been developing and manufacturing in Halver, Sauerland for more than 25 years. More than 300 employees help create innovative products, and thus continue to extend the product portfolio. ESCHA fulfils customers' specific requirements through highly in-depth development and production.

Press-Contact

Dipl.-Wirt.-Ing. Marco Heck
Director of Marketing | Product Management
m.heck@escha.de | Phone +49 2353 708-8153 | Mobile +49 151 12154945