

The Base Line combines the entire experience of ESCHA into a new connector generation for M12x1 standard applications. Design to cost, focus on essential product variants and optimized production processes provide for a cost-effective product line with the renowned high quality.

For everybody who buys „standard“ - no more, no less!

base^line



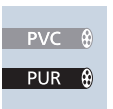
1000163 | 1.1.10



M12x1 standard round connector
(IEC61076-2-101)
male, female, 3-, 4-, 5-poles,
straight, angled, A-, B-coded



Two cable qualities
PVC | PUR halogen free



Dust-, waterproof, protected
against water from high-pres-
sure- and steam-jet cleaning
(IEC 60529/A1)

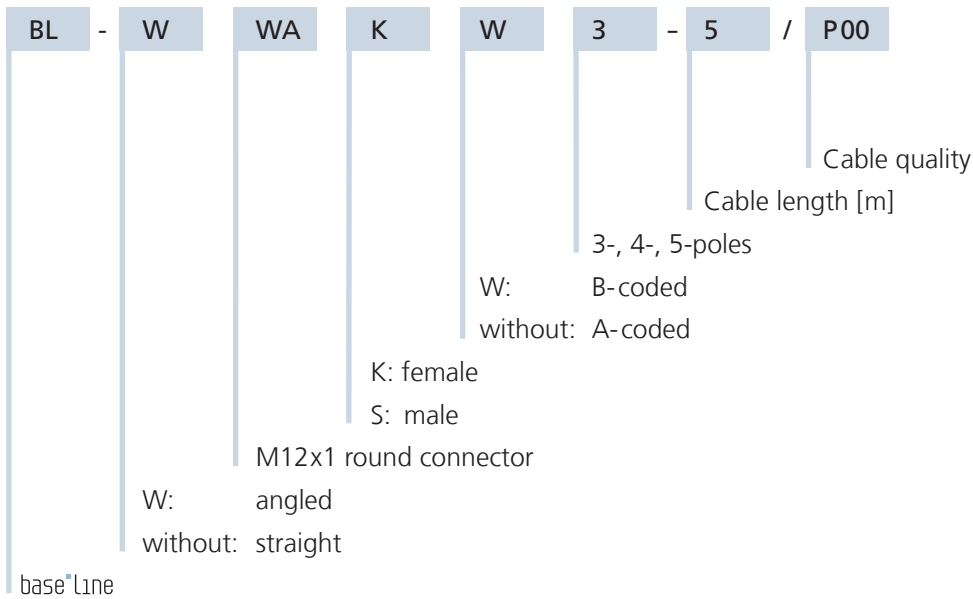


UL approved materials and cable
qualities

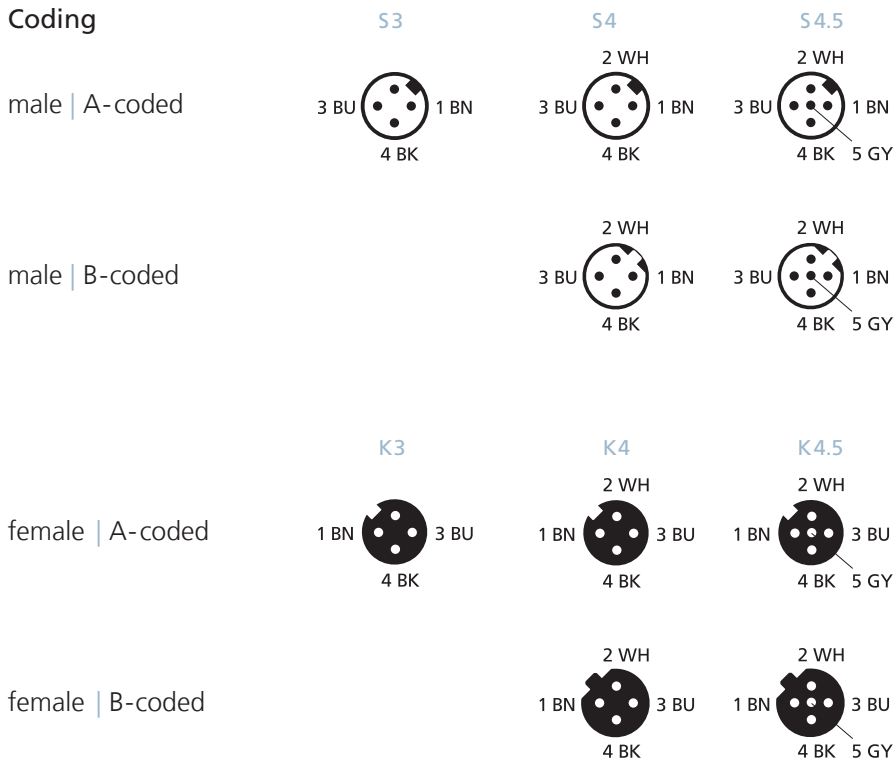


ESCHA Bauelemente GmbH
Elberfelder Str. 32 | 58553 Halver
Phone + 49 2353 708 - 800
Fax + 49 2353 708 - 410
Germany

Nomenclature



Coding



* available QII/2011

** cable length 5m | Connectors are available with a standard cable length of 2m/5m/10m | Other cable lengths are available upon request.

Cable quality PVC

		Coding	Poles	Order-number	Type-designation**	
female	straight	A	3	8047903	BL-WAK3-5/P00	
		A	4	8047904	BL-WAK4-5/P00	
		B	4	8047905	BL-WAKW4-5/P00	
		A	5	8047906	BL-WAK4.5-5/P00	
		B	5	8047907	BL-WAKW4.5-5/P00	
		angled*	A	3	8047908	BL-WWAK3-5/P00
	A		4	8047909	BL-WWAK4-5/P00	
	B		4	8047910	BL-WWAKW4-5/P00	
	A		5	8047911	BL-WWAK4.5-5/P00	
	B		5	8047912	BL-WWAKW4.5-5/P00	
	male		straight	A	3	8047913
		A		4	8047914	BL-WAS4-5/P00
B		4		8047915	BL-WASW4-5/P00	
A		5		8047916	BL-WAS4.5-5/P00	
B		5		8047917	BL-WASW4.5-5/P00	
angled*		A		3	8047918	BL-WWAS3-5/P00
		A	4	8047919	BL-WWAS4-5/P00	
		B	4	8047920	BL-WWASW4-5/P00	
		A	5	8047921	BL-WWAS4.5-5/P00	
		B	5	8047922	BL-WWASW4.5-5/P00	
		female straight/male straight	A	3	8047923	BL-WAK3-5-BL-WAS3/P00
4				8047924	BL-WAK4-5-BL-WAS4/P00	
5	8047925			BL-WAK4.5-5-BL-WAS4.5/P00		
female angled/male angled*	A	3	8047926	BL-WWAK3-5-BL-WWAS3/P00		
		4	8047927	BL-WWAK4-5-BL-WWAS4/P00		
		5	8047928	BL-WWAK4.5-5-BL-WWAS4.5/P00		
female straight/male angled*	A	3	8047929	BL-WAK3-5-BL-WWAS3/P00		
		4	8047930	BL-WAK4-5-BL-WWAS4/P00		
		5	8047931	BL-WAK4.5-5-BL-WWAS4.5/P00		
female angled/male straight*	A	3	8047932	BL-WWAK3-5-BL-WAS3/P00		
		4	8047933	BL-WWAK4-5-BL-WAS4/P00		
		5	8047934	BL-WWAK4.5-5-BL-WAS4.5/P00		

PVC (P00)

All PVC cable, adapted for average mechanical stresses in the area of packing machines as well as assembly- and production lines. Good resistance against acids and lye and therefore predestined for use in the food and beverage industry. Restricted abrasion and limited oil- and chemicals resistance are provided.

Cable quality PUR halogen free 

		Coding	Poles	Order-number	Type-designation**		
female	straight	A	3	8047871	BL-WAK3-5/S370		
		A	4	8047872	BL-WAK4-5/S370		
		B	4	8047873	BL-WAKW4-5/S370		
		A	5	8047874	BL-WAK4.5-5/S370		
		B	5	8047875	BL-WAKW4.5-5/S370		
		A	3	8047876	BL-WWAK3-5/S370		
	angled*	A	4	8047877	BL-WWAK4-5/S370		
		B	4	8047878	BL-WWAKW4-5/S370		
		A	5	8047879	BL-WWAK4.5-5/S370		
		B	5	8047880	BL-WWAKW4.5-5/S370		
		male	straight	A	3	8047881	BL-WAS3-5/S370
				A	4	8047882	BL-WAS4-5/S370
B	4			8047883	BL-WASW4-5/S370		
angled*	A		5	8047884	BL-WAS4.5-5/S370		
	B		5	8047885	BL-WASW4.5-5/S370		
	A		3	8047886	BL-WWAS3-5/S370		
female straight/male straight	straight	A	4	8047887	BL-WWAS4-5/S370		
		B	4	8047888	BL-WWASW4-5/S370		
		A	5	8047889	BL-WWAS4.5-5/S370		
		B	5	8047890	BL-WWASW4.5-5/S370		
		A	3	8047798	BL-WAK3-5-BL-WAS3/S370		
		4	8047892	BL-WAK4-5-BL-WAS4/S370			
	angled*	5	8047893	BL-WAK4.5-5-BL-WAS4.5/S370			
		A	3	8047894	BL-WWAK3-5-BL-WWAS3/S370		
		4	8047895	BL-WWAK4-5-BL-WWAS4/S370			
		5	8047896	BL-WWAK4.5-5-BL-WWAS4.5/S370			
		female straight/male angled*	A	3	8047897	BL-WAK3-5-BL-WWAS3/S370	
			4	8047898	BL-WAK4-5-BL-WWAS4/S370		
5	8047899		BL-WAK4.5-5-BL-WWAS4.5/S370				
female angled/male straight*	A		3	8047900	BL-WWAK3-5-BL-WAS3/S370		
	4		8047901	BL-WWAK4-5-BL-WAS4/S370			
	5		8047902	BL-WWAK4.5-5-BL-WAS4.5/S370			

PUR halogen free (S370)

Flexible, PVC-, silicone- and halogen free control-cable with PUR outer jacket and polypropylene wire isolation. The cable is oil and fire resistant according to VDE 0472 as well as microbes- and hydrolysis resistant. The temperature resistance ranges from -40°C to +90°C. With a max. acceleration of 5m/s² the drag-chain application is possible at a bending radius of min. 10xd and a travel speed of up to 200m/min. Because of its weld-field immunity this cable is very well adapted for the flexible use in the area of robotics, machine tool and metal-cutting production. Admissions according to UL and CSA have been permitted.